



**TOYOTA**

ALWAYS A  
BETTER WAY

# Hilux

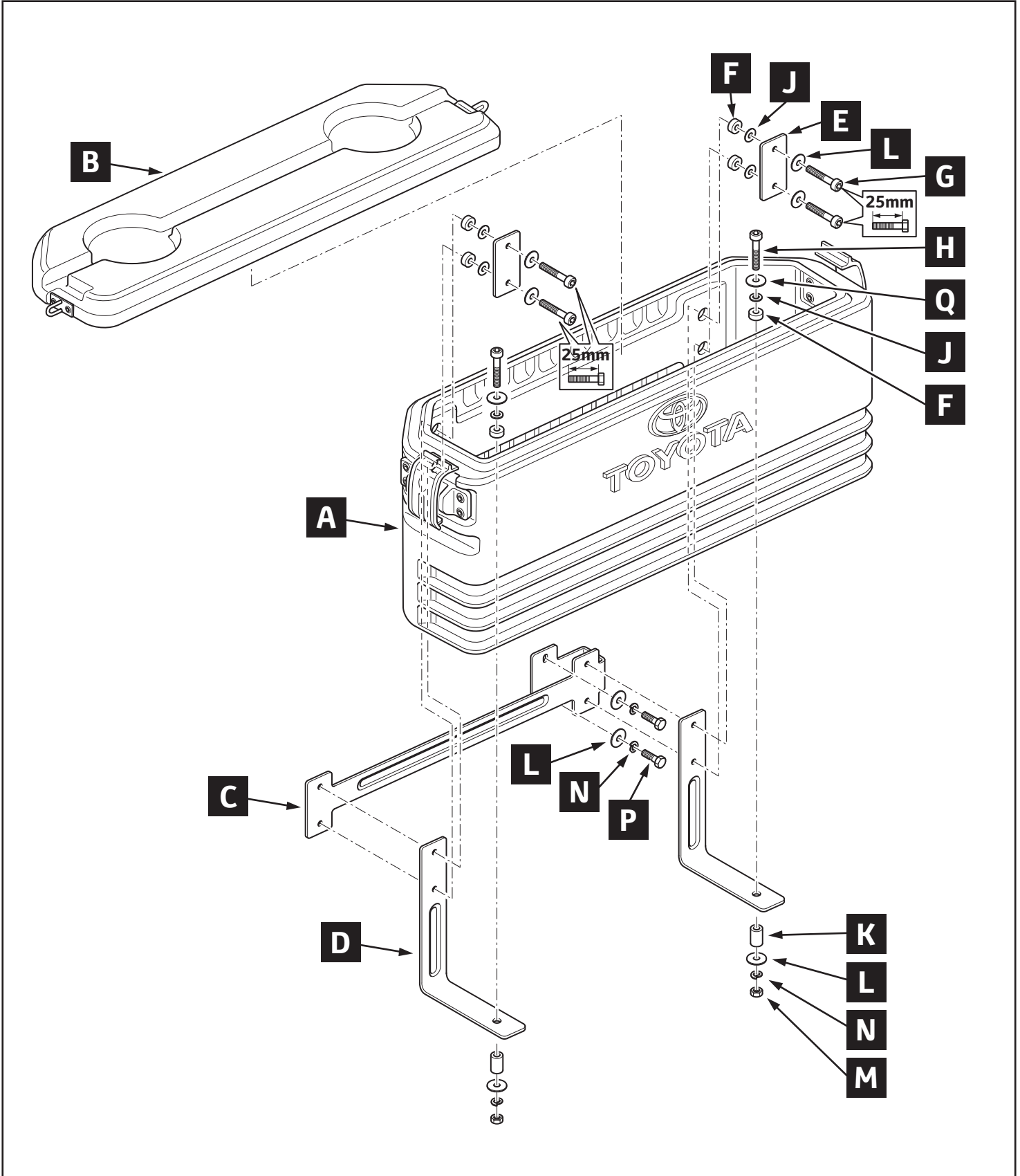
## Side utility box (Extra/Double cab)

Installation instructions

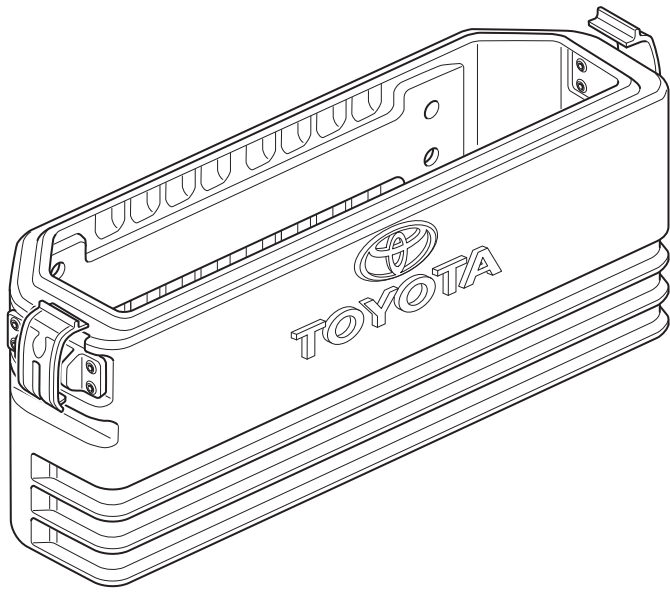
Model year:	2015/06	
Vehicle code:	GUN1***-C***HW	Extra cab
	GUN1***-D***HW	Double cab
Part number:	PW3B5-0K000	Side utility box
	PW3B5-0K001	Fitting kit without liner

# Revision Record

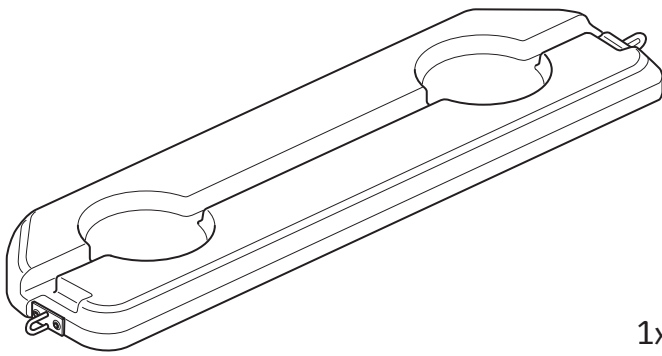
Rev. No.	Date	Page	Picture	Update	New	Deleted steps



**PW3B5-0K000**

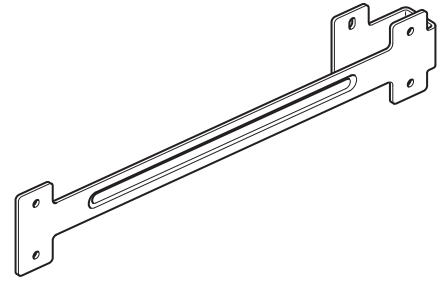


**A** 1x

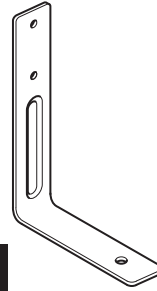


**B** 1x

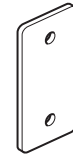
**PW3B5-0K001**



**C** 1x



**D** 2x



**E** 2x



**F** 6x



**G** 4x



**H** 2x



**K** 2x



**N** 4x

ø23mm



**L** 8x



**P** 2x



**J** 6x

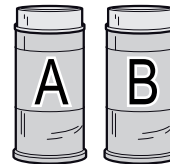


**M** 2x

ø32mm



**Q** 2x



**A:PRIMER**  
**B:ACTIVATOR**

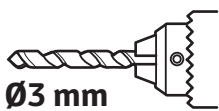
A:Standex® Etching Adhesion Primer 020 16167  
B:Standex® Etching Adhesion Activator 020 16168

or

A:Sikkens® primer surfacer EP II  
B:Sikkens® primer surfacer EP II Hardener



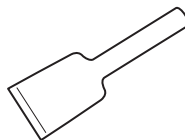
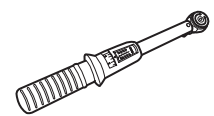
13 mm



Ø3 mm  
Ø6 mm  
Ø10 mm  
Ø17 mm



8mm



**CLEANER  
DEGREASER**

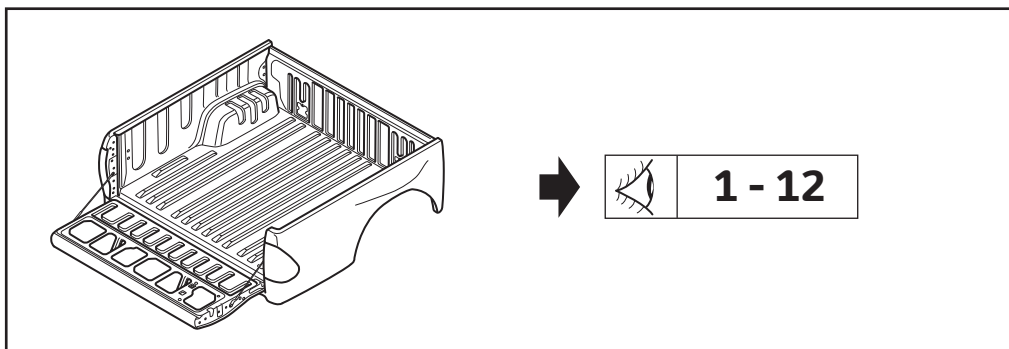
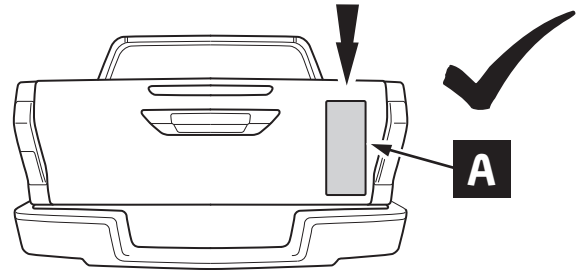
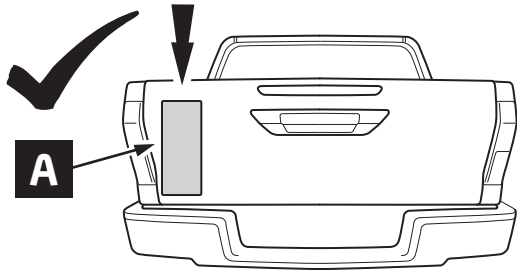


+40°C

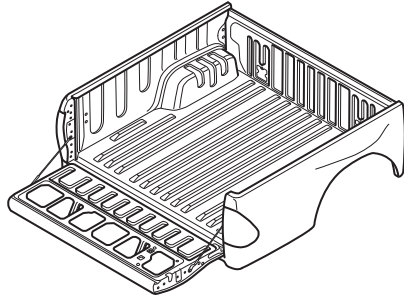
+18°C



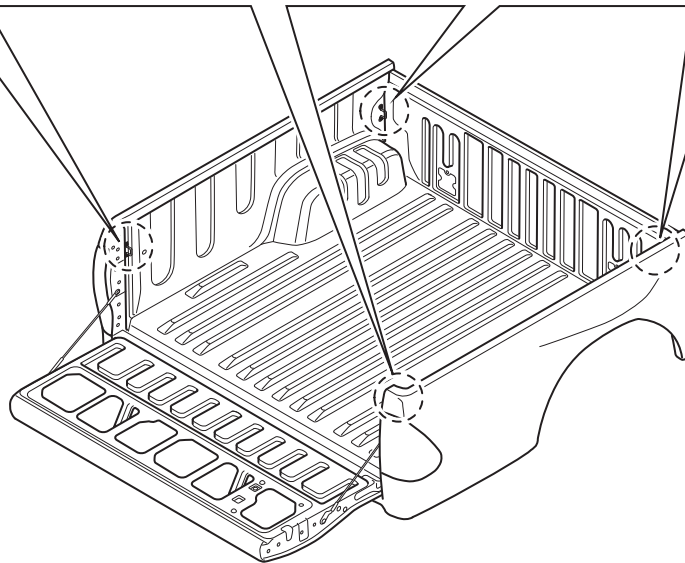
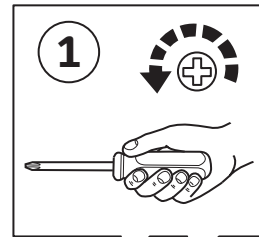
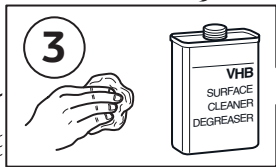
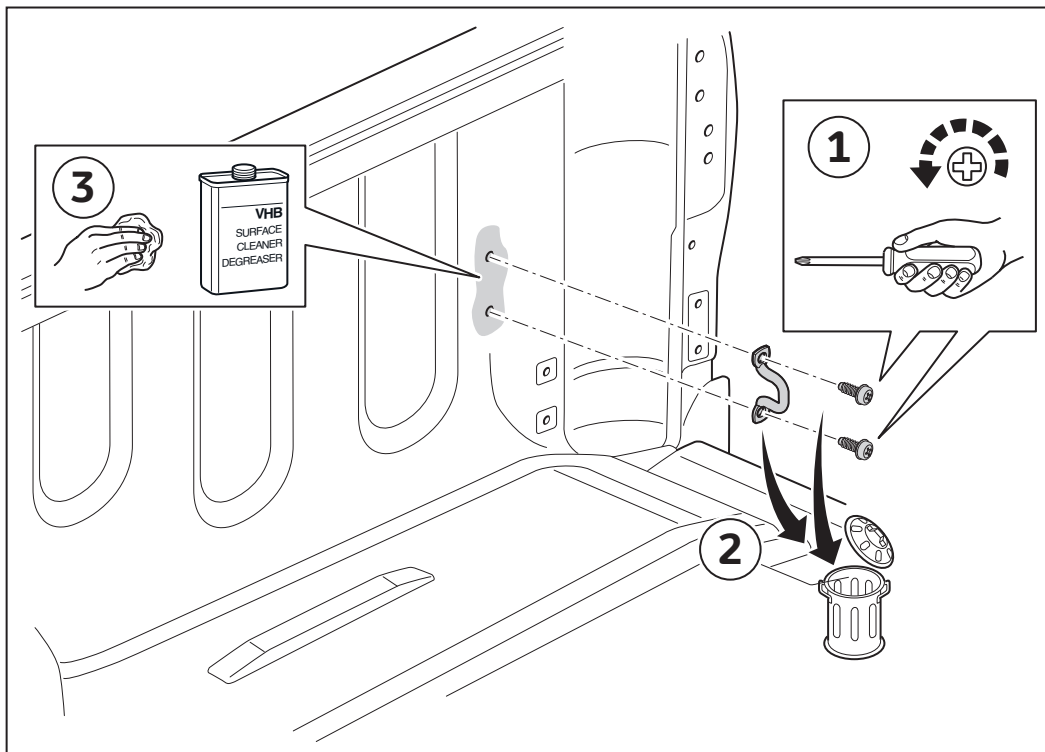
LHS = RHS



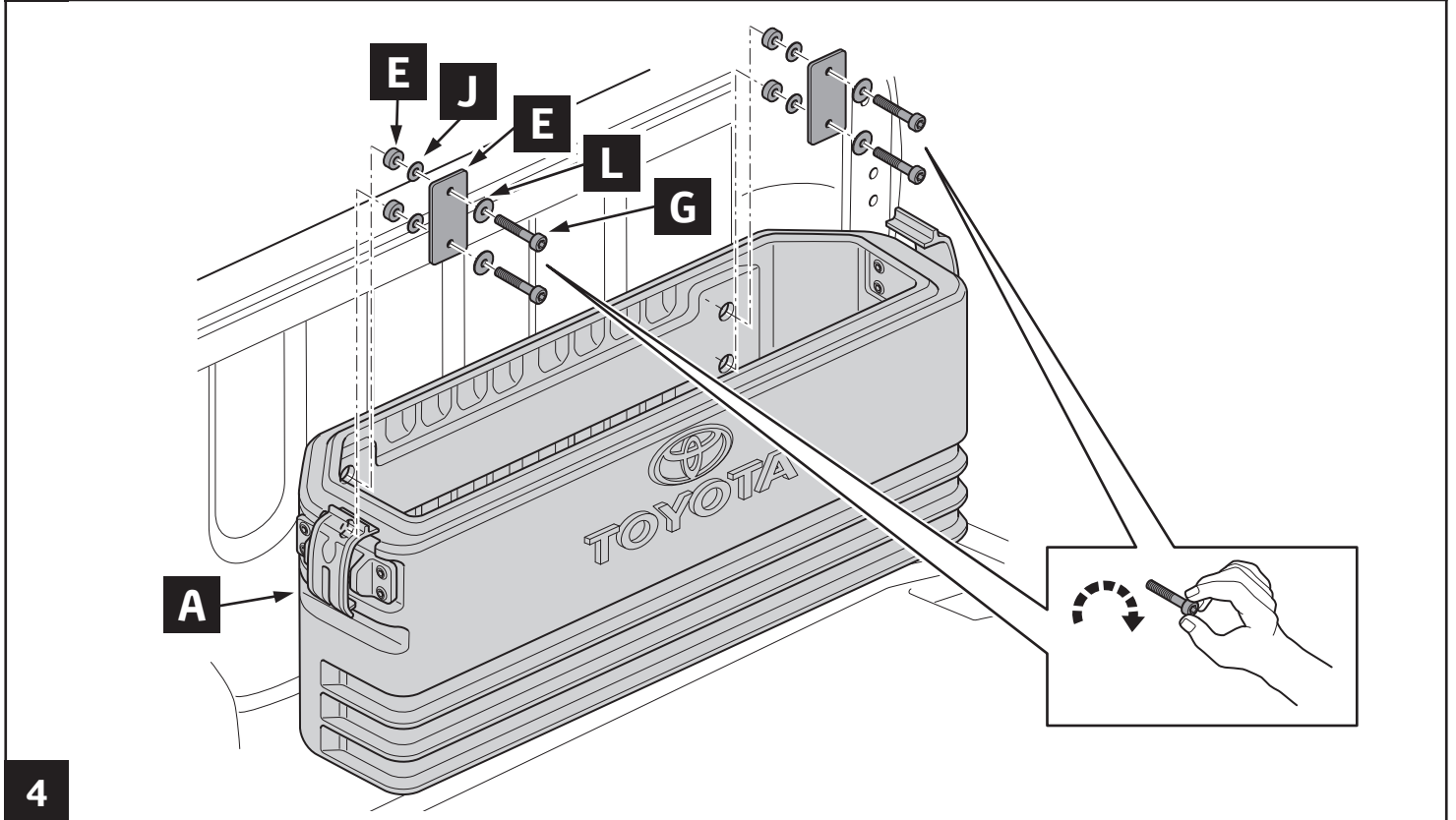
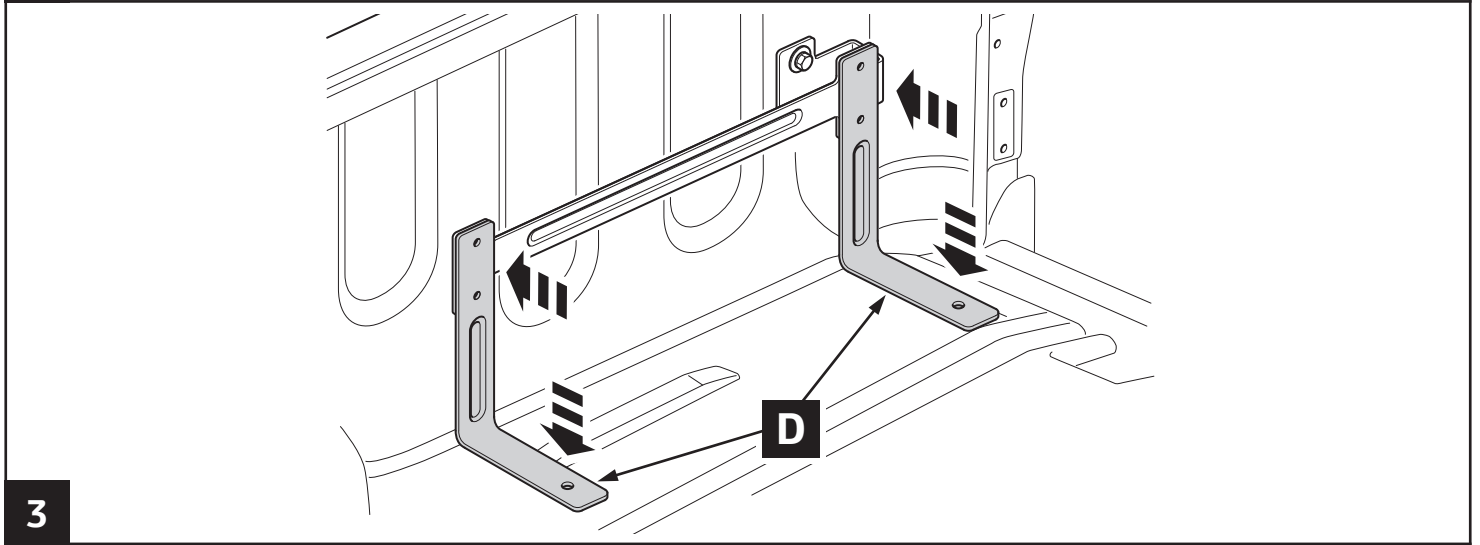
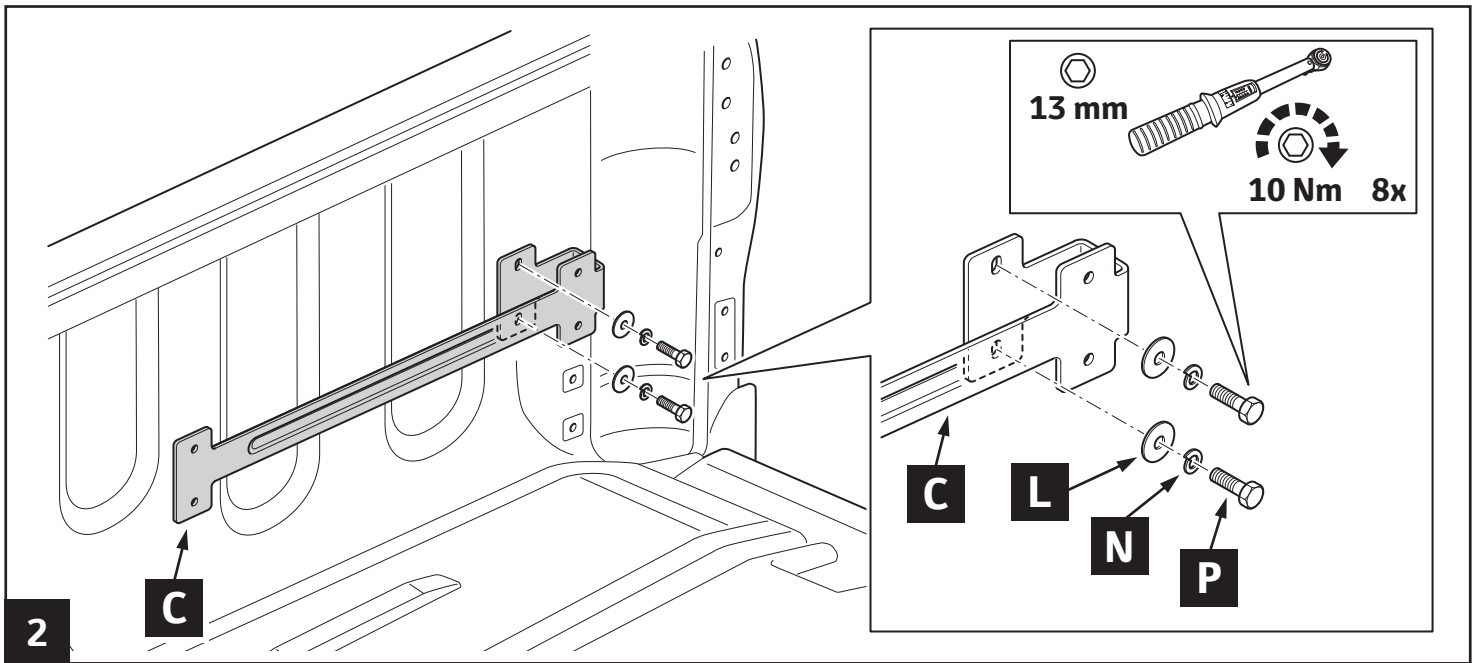
**INFO**

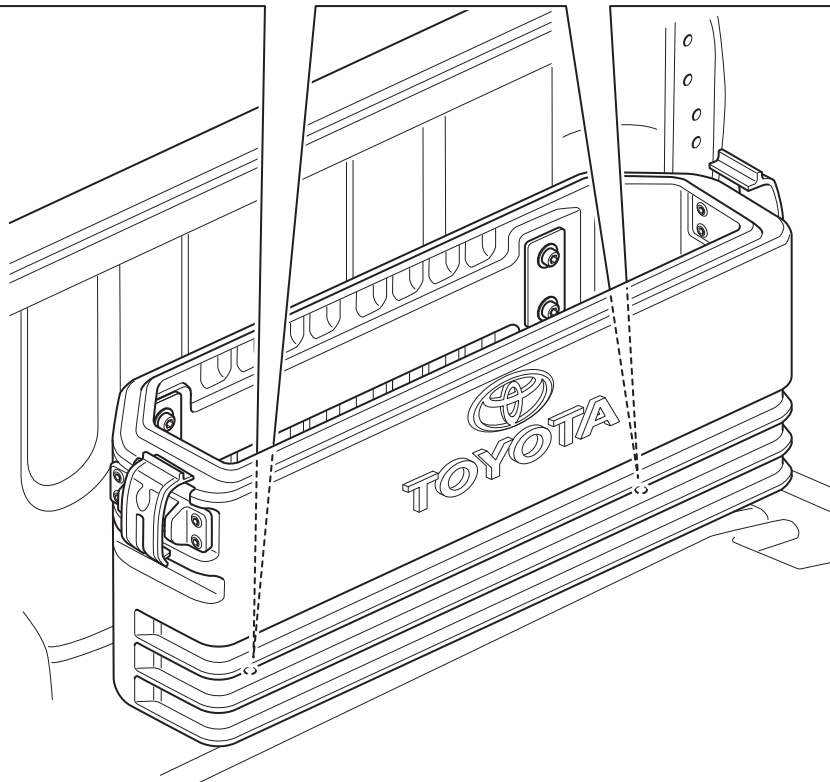
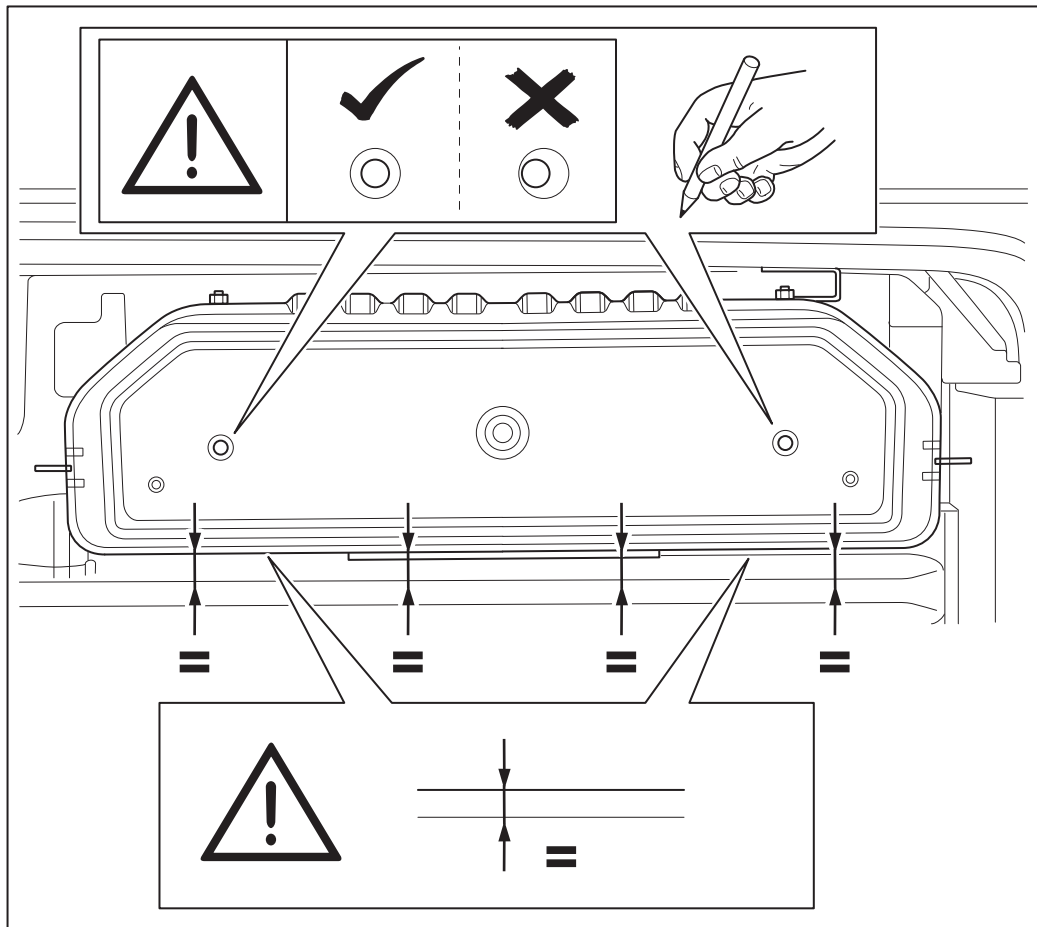


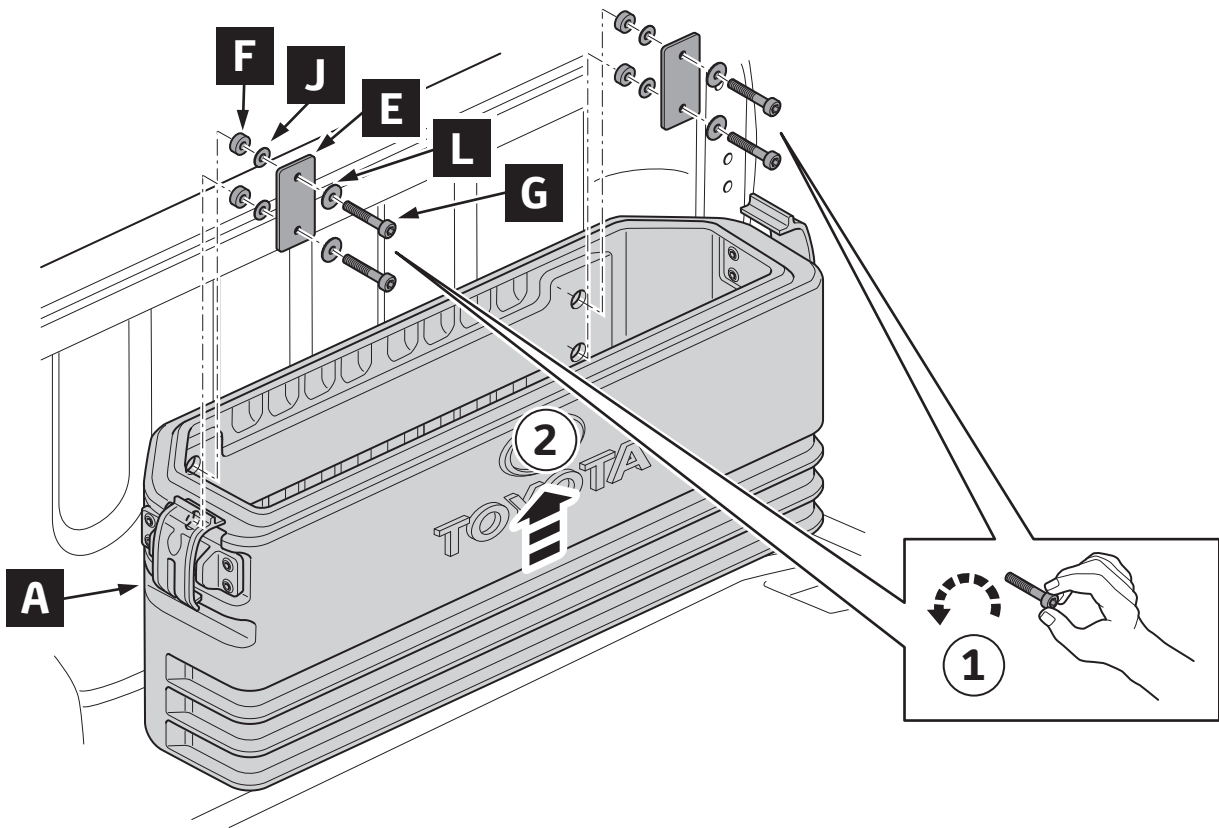
1 - 12



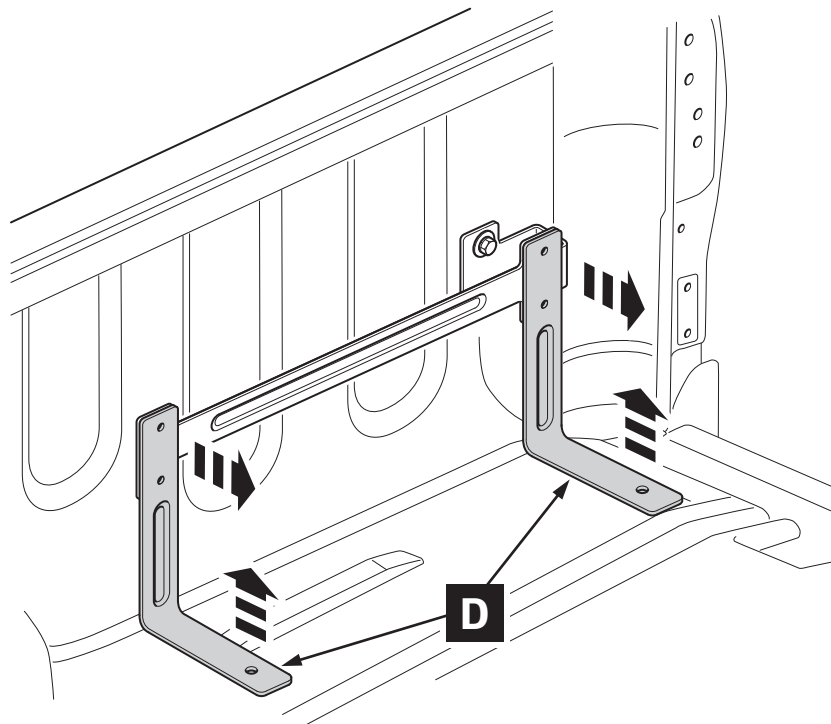
1



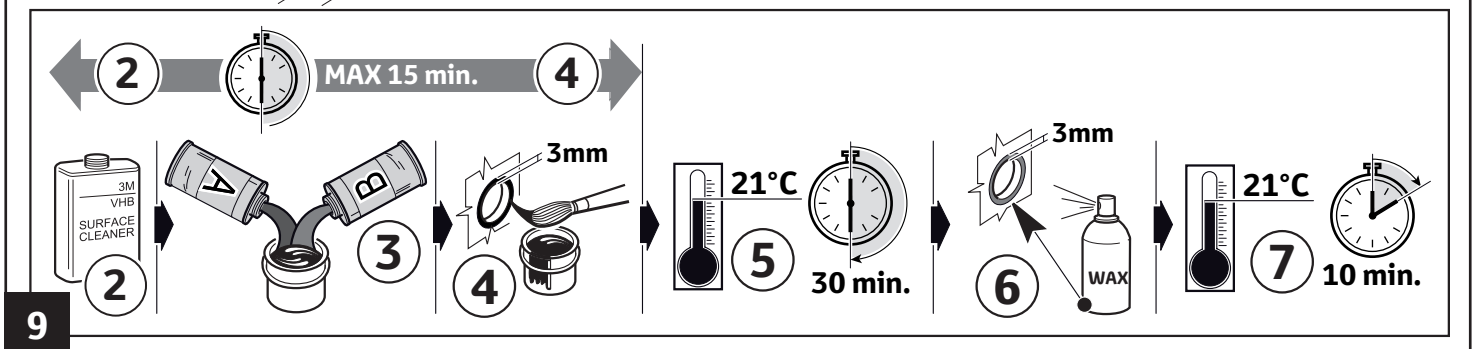
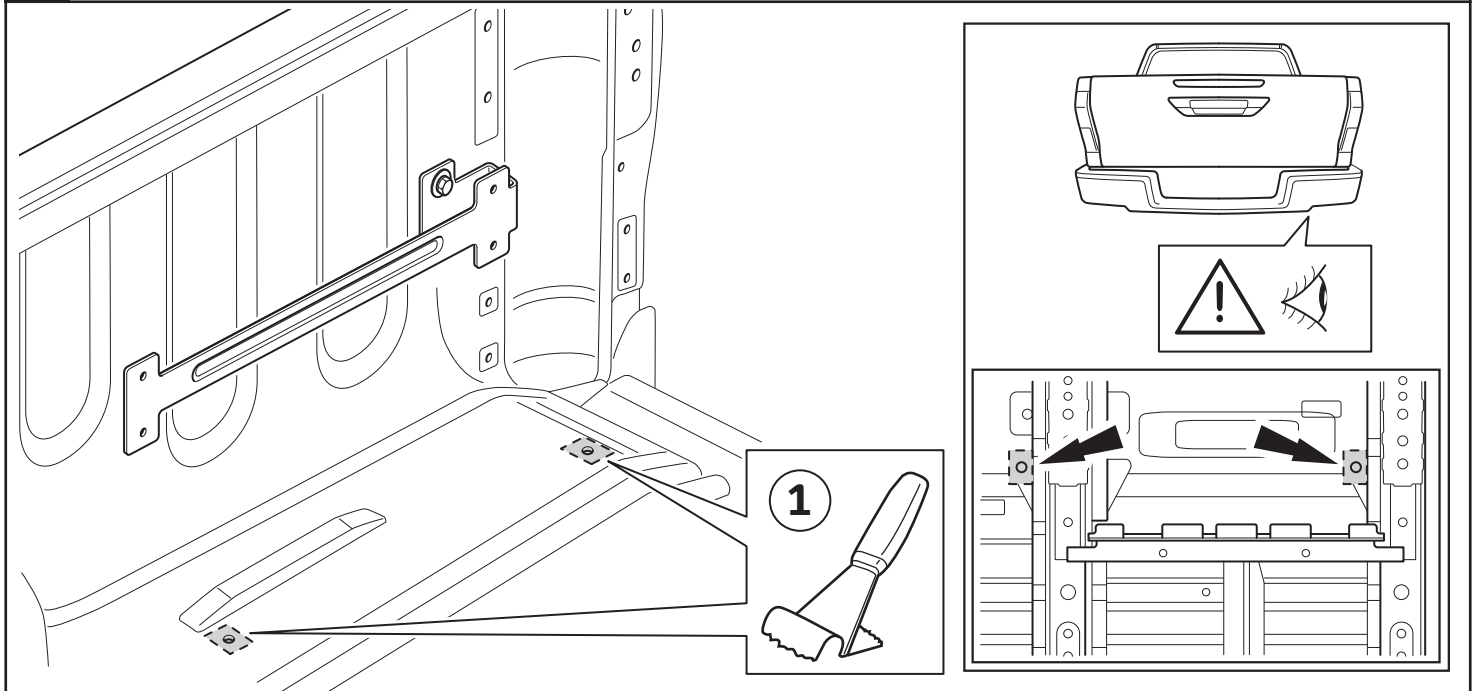
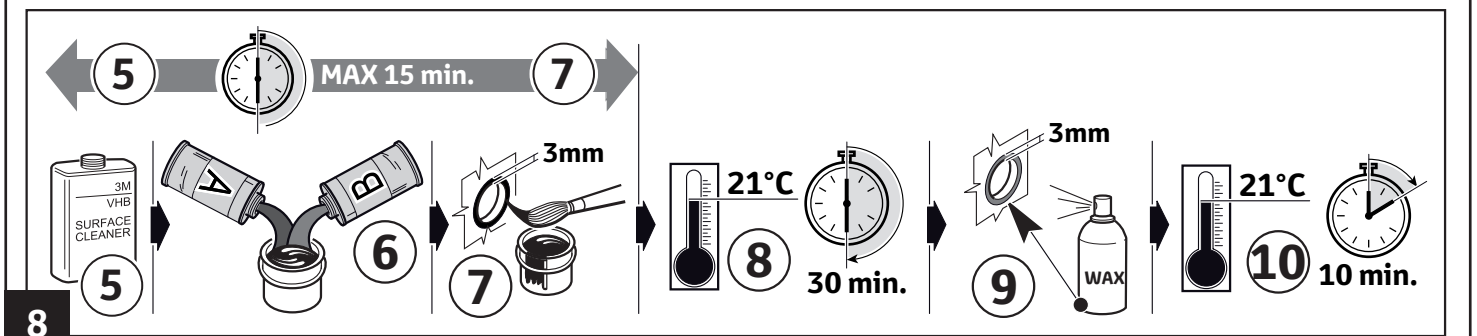
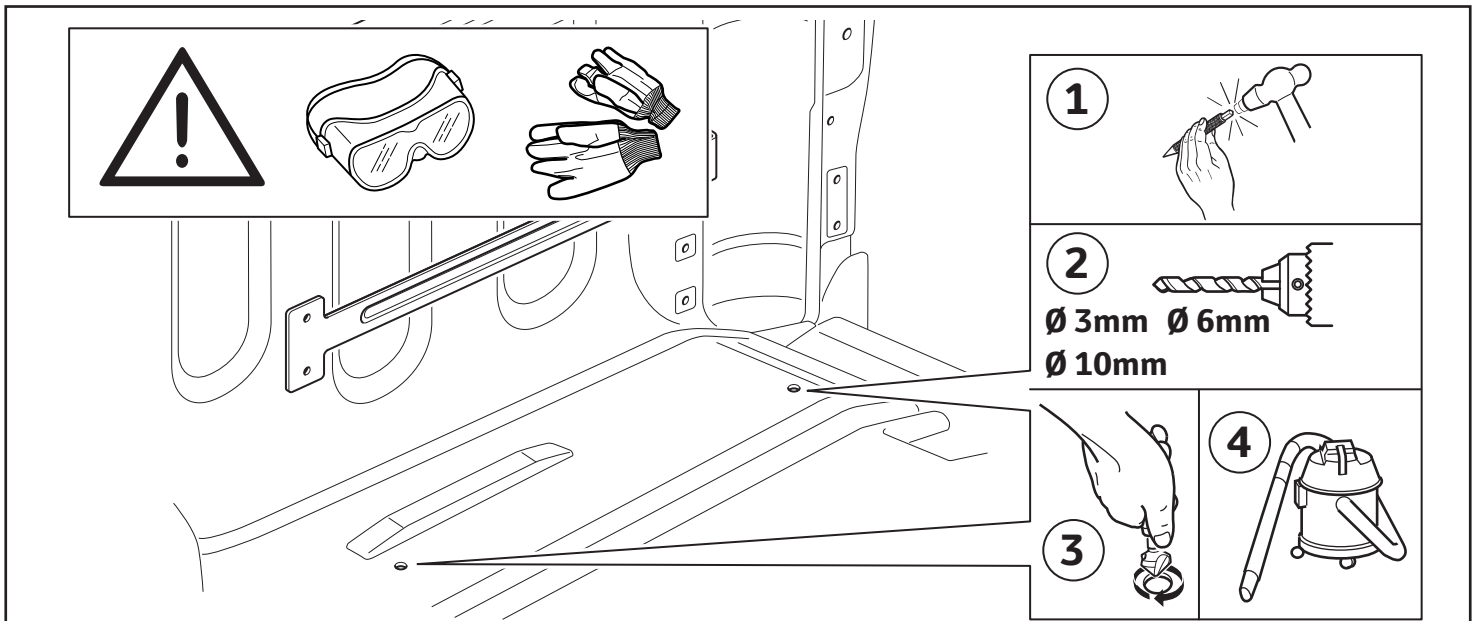


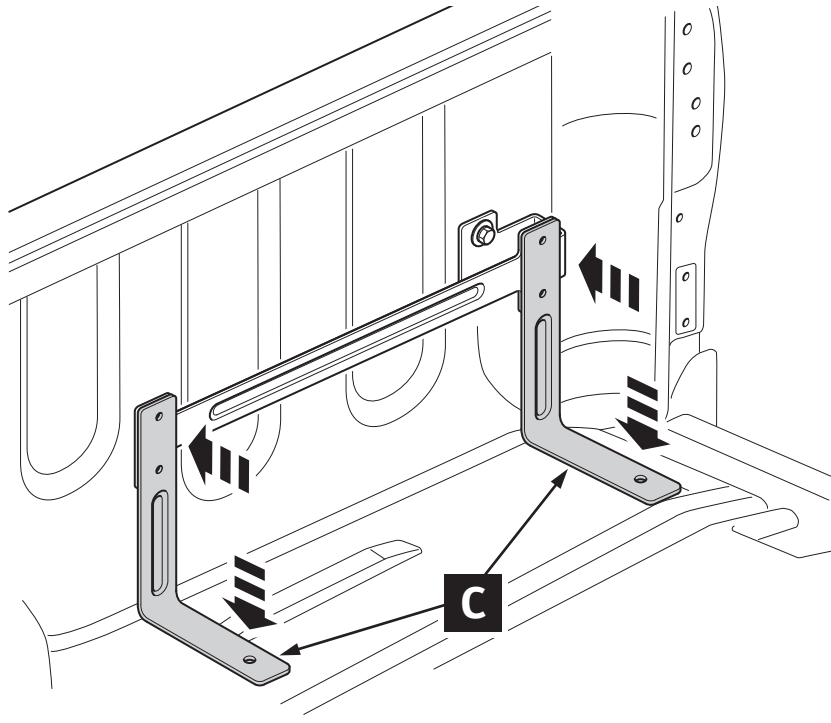


6

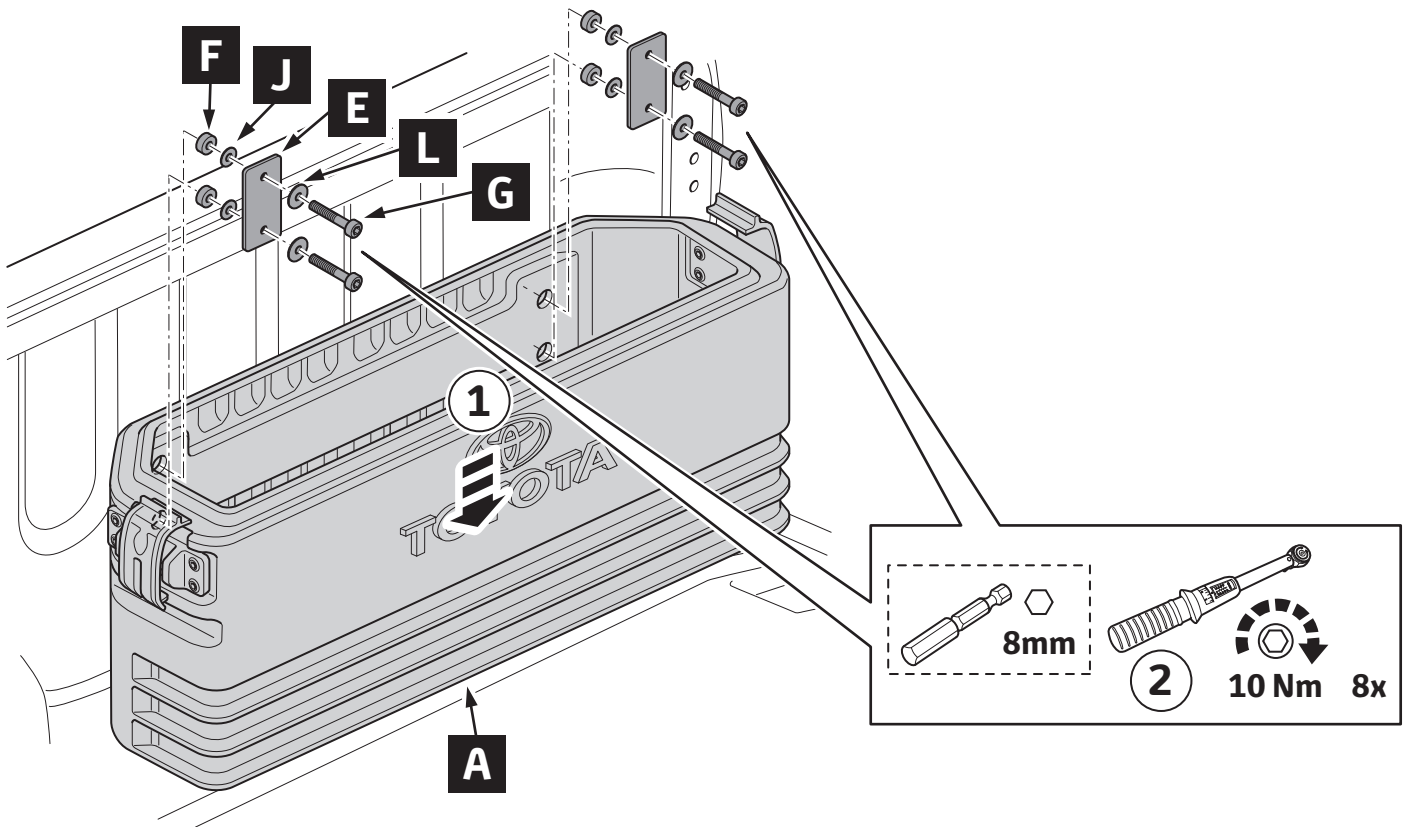


7

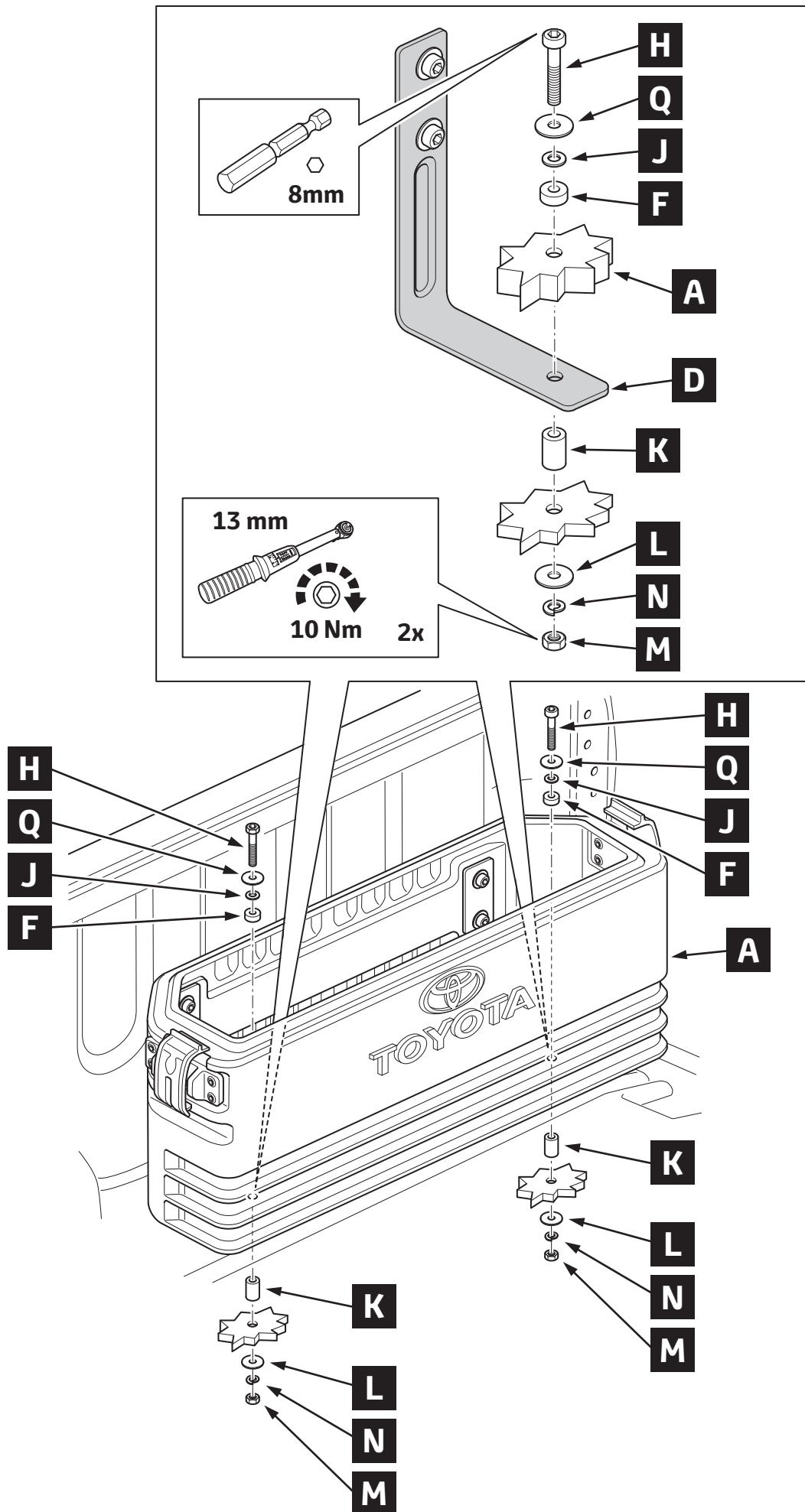




10



11



# CHECK SHEET



**TOYOTA**

**Model / Year** Hilux 2015/06

**Side utility box**

**VIN n°**

ALWAYS A BETTER WAY

**P/N = OK**

**RHS**

= OK

**CLICK**

**Serial Number**

**12** **10 Nm**

**2x**

**RHS**

**CLICK**

**Serial Number**

**15** **10 Nm**

**6x**

**RHS**

**= OK**

**Installation Date:**

.. / .. / ..

**Technician Name & Signature:**

**Stamp:**

# CHECK SHEET



**TOYOTA**

**Model / Year** Hilux 2015/06

**Side utility box**

**VIN n°**

ALWAYS A BETTER WAY

**P/N = OK**

**LHS**

**= OK**

**CLICK**

**Serial Number**

**12** **10 Nm**

**2x**

**LHS**

**CLICK**

**Serial Number**

**15** **10 Nm**

**6x**

**LHS**

**Installation Date:**

.. / .. / ..

**Technician Name & Signature:**

**Stamp:**